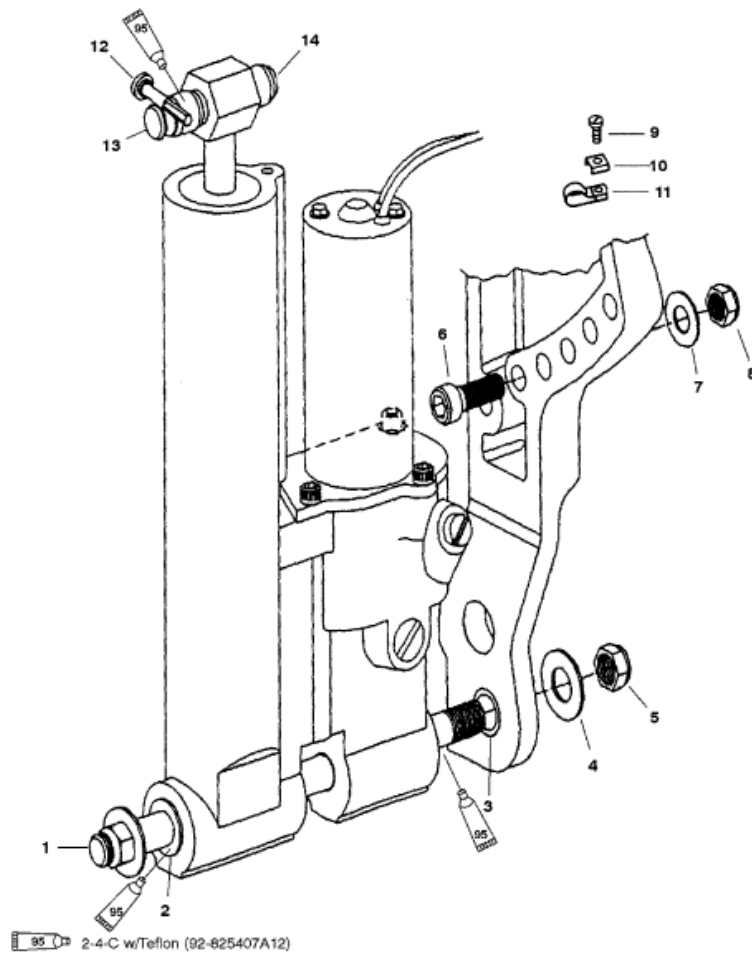


Parts List



| Ref | Class | Part | Description | Qty | Comment | Footnote |
|-----|-------|----------|---------------------|-----|---------|----------|
| 1 | 17 | 822481 | PIN-ANCHOR (14MM) | 1 | | |
| 2 | 23 | 822482 | BUSHING | 2 | | |
| 3 | 23 | 822484 | BUSHING | 2 | | |
| 4 | 12 | 825190 | WASHER | 2 | | |
| 5 | 11 | 826712 | NUT | 2 | | |
| 6 | 10 | 40090 40 | SCREW (M10 X 40) | 2 | | |
| 7 | 12 | 40023 19 | WASHER | 2 | | |
| 8 | 11 | 40140 | NUT | 2 | | |
| 9 | 10 | 878609 | SCREW (10-16 X 5/8) | 1 | | |
| 10 | | 69205 | C-WASHER | 1 | | |
| 11 | 54 | 22740 | CLIP | 2 | | |
| 12 | 17 | 821539 | PIN | 1 | | |
| 13 | 17 | 822480 | PIN | 1 | | |
| 14 | 23 | 823507 | BUSHING | 1 | | |